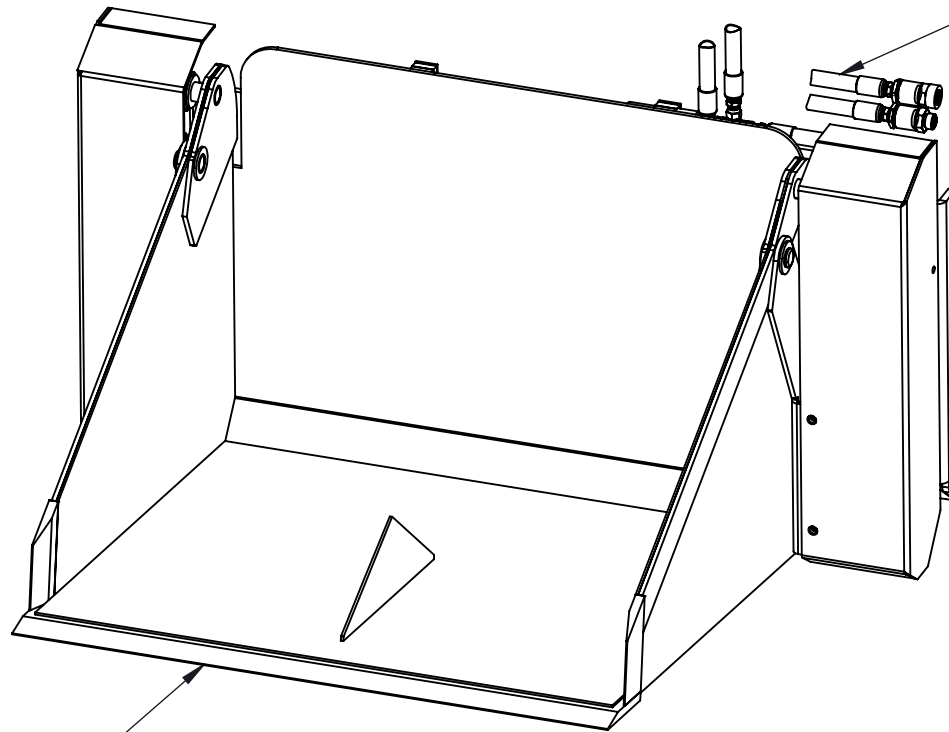




## PLB-25 Loading Bucket

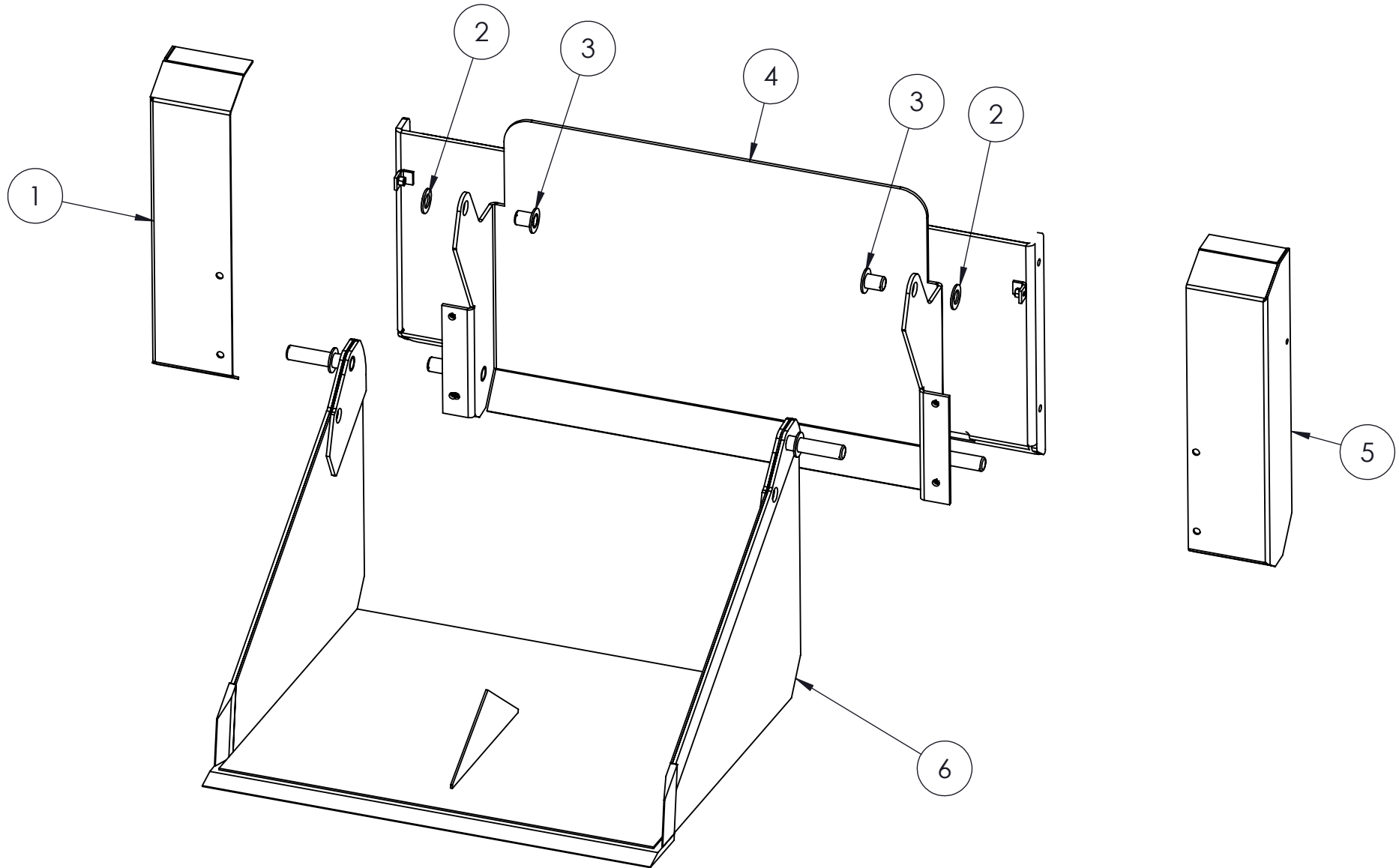


Section 1-1  
Steelwork & Covers

Section 2-1  
Hydraulic Assembly



## PLB-25 Loading Bucket



Section 1-1  
Steelwork & Covers



# CART-AWAY

Cart-Away Concrete Systems INC

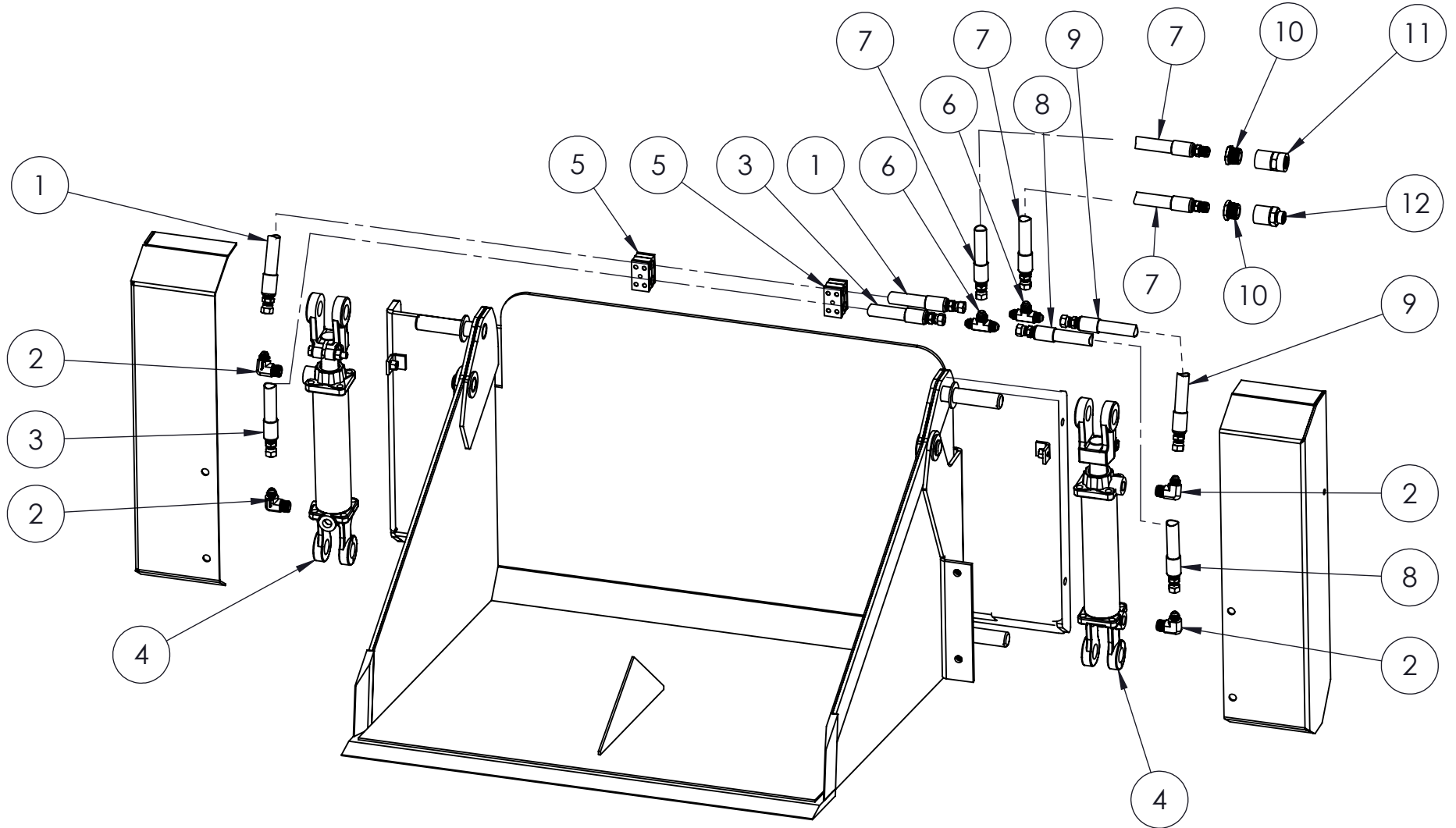
Parts Catalog  
Customer Service Hot Line  
800-909-9809

## PLB-25 Loading Bucket

ITEM NO.	PART NUMBER	DESCRIPTION	QTY.
1	PLB-900-R	Right Cylinder Cover	1
2	PBL-103	Pivot Pin Washer	2
3	PBL-301	Pivot Pin Assembly	2
4	PLB-1000	Quick Disconnect Assembly	1
5	PLB-902-1	Left Cylinder Cover	1
6	PLB-2000	Bucket Assembly	1



**PLB-25 Loading Bucket**



Section 2-1  
Hydraulic Assembly



**CART -AWAY**

Cart-Away Concrete Systems INC

Parts Catalog  
Customer Service Hot Line  
800-909-9809

**PLB-25 Loading Bucket**

ITEM NO.	PART NUMBER	DESCRIPTION	QTY.
1	H788	Cylinder to Tee	1
2	H187	Hydraulic 90 Adapter	4
3	H789	Cylinder to Tee	1
4	H448	Hydraulic Cylinder	2
5	N767	Hydraulic Hose Clamp	2
6	H283	Hydraulic Hose TEE	2
7	H792	Tee to Quick Disconnect	2
8	H790	Cylinder To Tee	1
9	H991	Cylinder To Tee	1
10	H114	3/8 x 3/4 Reducer	2
11	H249	Female Quick Disconnect	1
12	H248	Male Quick Disconnect	1
*	J371	Hose Protective Sleeve , per foot (not shown)	5