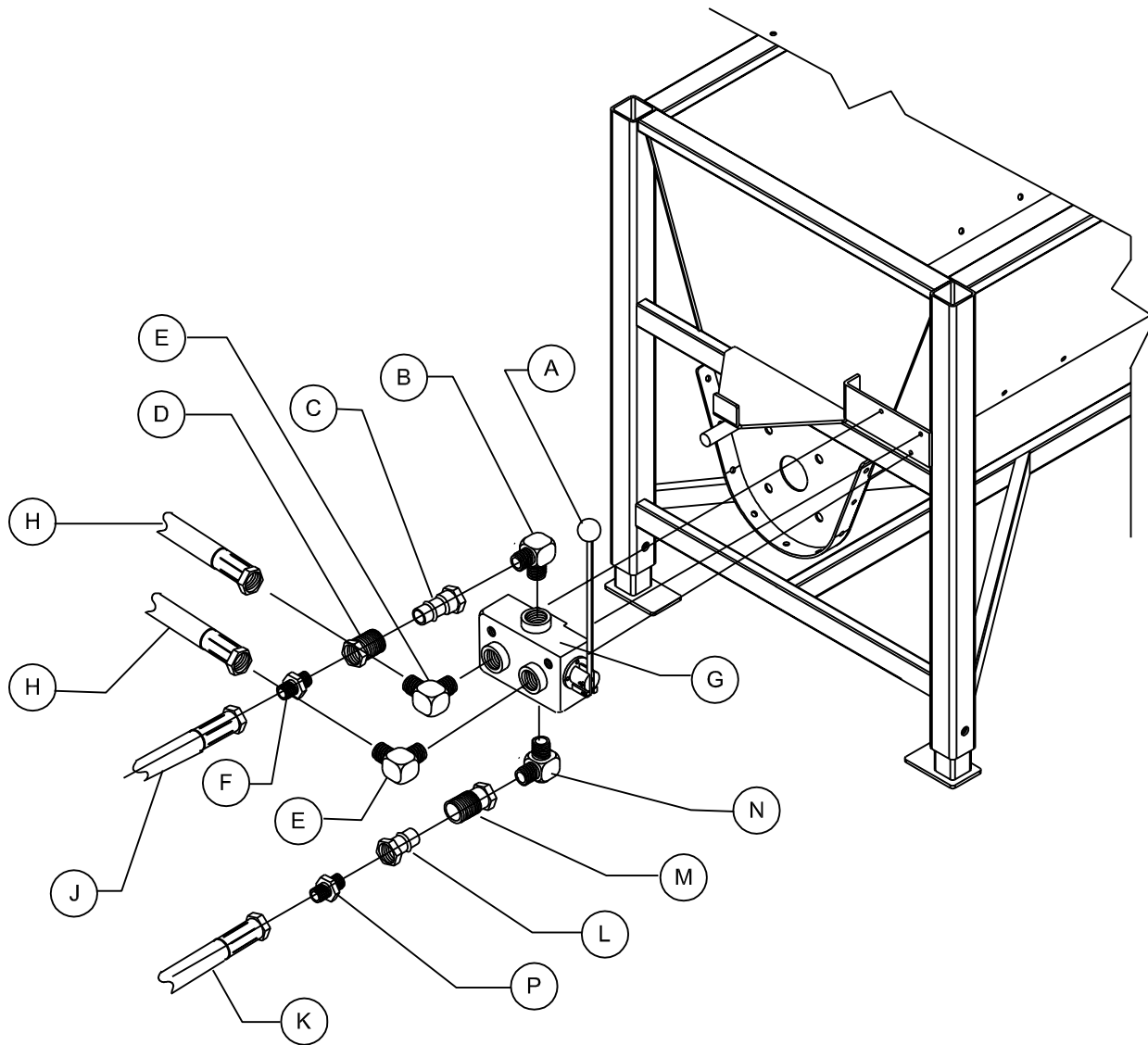


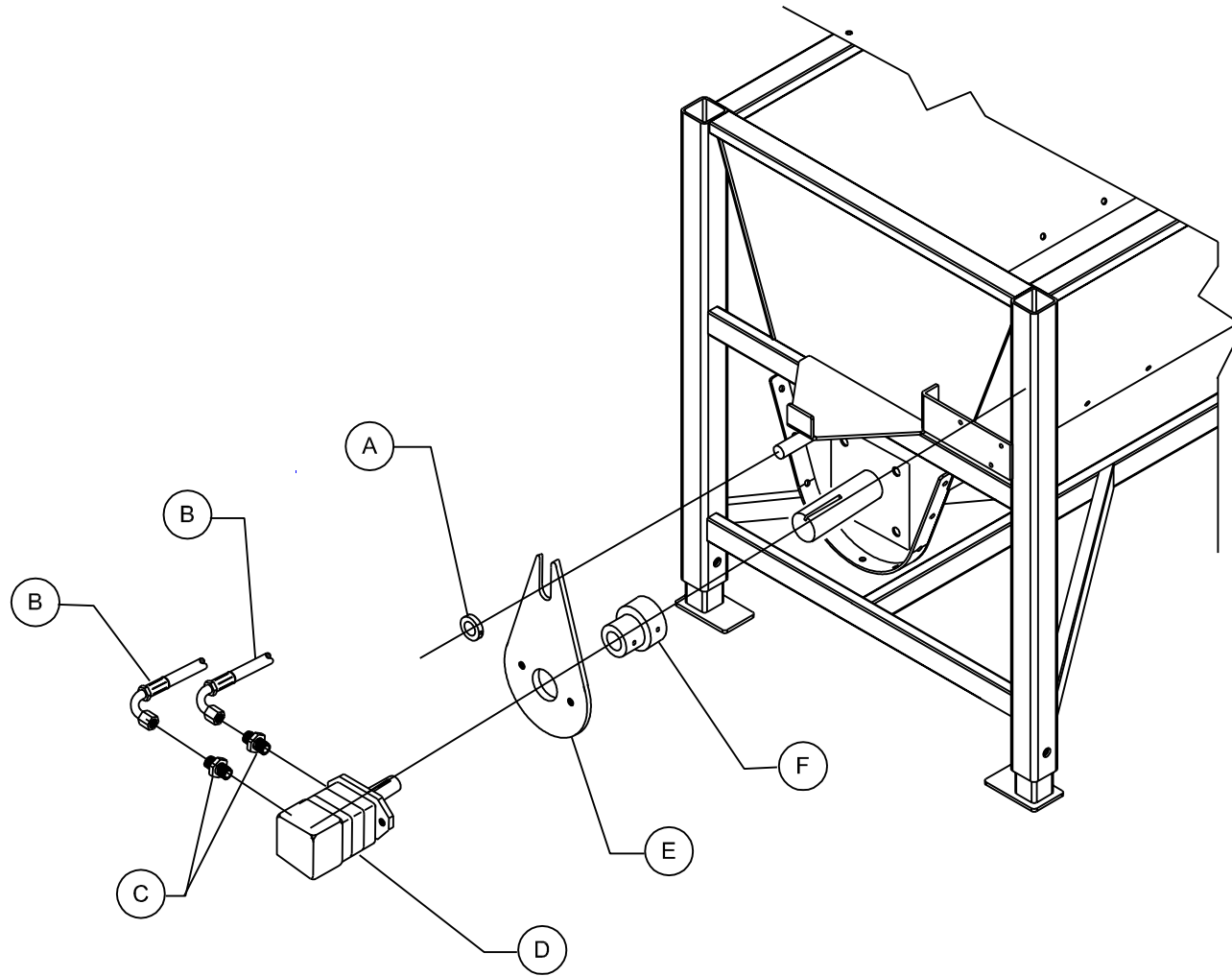


Item #	Quantity	Description	Part #
A	1	Batch Box Steelwork, Stone	C952
B	1	Batch Box, Stone	J722
C	2	Fork Pockets, Left & Right	C957
D	1	Bag Breaker with Screen	C958
E	2	Batch Box Steelwork, Sand	C951
F	2	Batch Box, Sand	J721



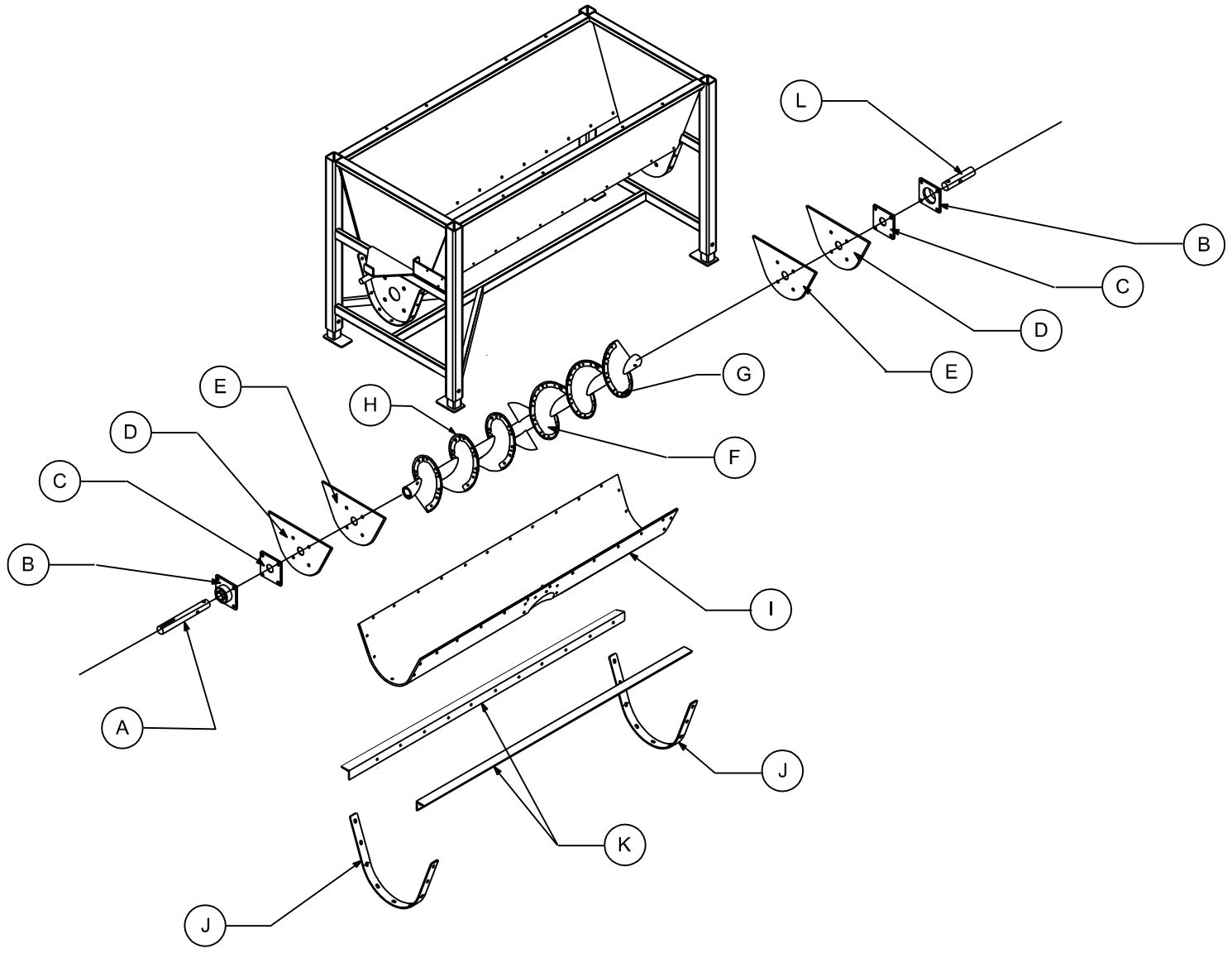


Item #	Quantity	Description	Part #
A	1	Hand Valve Handle (Only)	H804
B	1	Hydraulic Elbow	H192
C	1	Hydraulic Fitting, QD, 3/4M	H250
D	1	Hydraulic Fitting, QD, 3/4F	H251
E	2	Hydraulic Elbow	H190
F	1	Hydraulic Fitting	H154
G	1	Hand Valve w/Handle	H400
H	2	Pressure Line, Hand Valve To Motor	H775
J	1	Return Line, Hand Valve To Tank	H779
K	1	Pressure Line, Selector Valve To Hand Valve	H777
L	1	Hydraulic Fitting, QD, 1/2M	H252
M	1	Hydraulic Fitting, QD, 1/2F	H253
N	1	Hydraulic Elbow	H220
P	1	Hydraulic Fitting	H163





Item #	Quantity	Description	Part #
A	1	Clamp Collar	N701
B	2	Pressure Line, Hand Valve To Motor	H775
C	2	Hydraulic Fitting	H151
D	1	Hydraulic Motor	H306
E	1	Torque Plate	C312
F	1	Auger Drive Shaft Coupler	C498

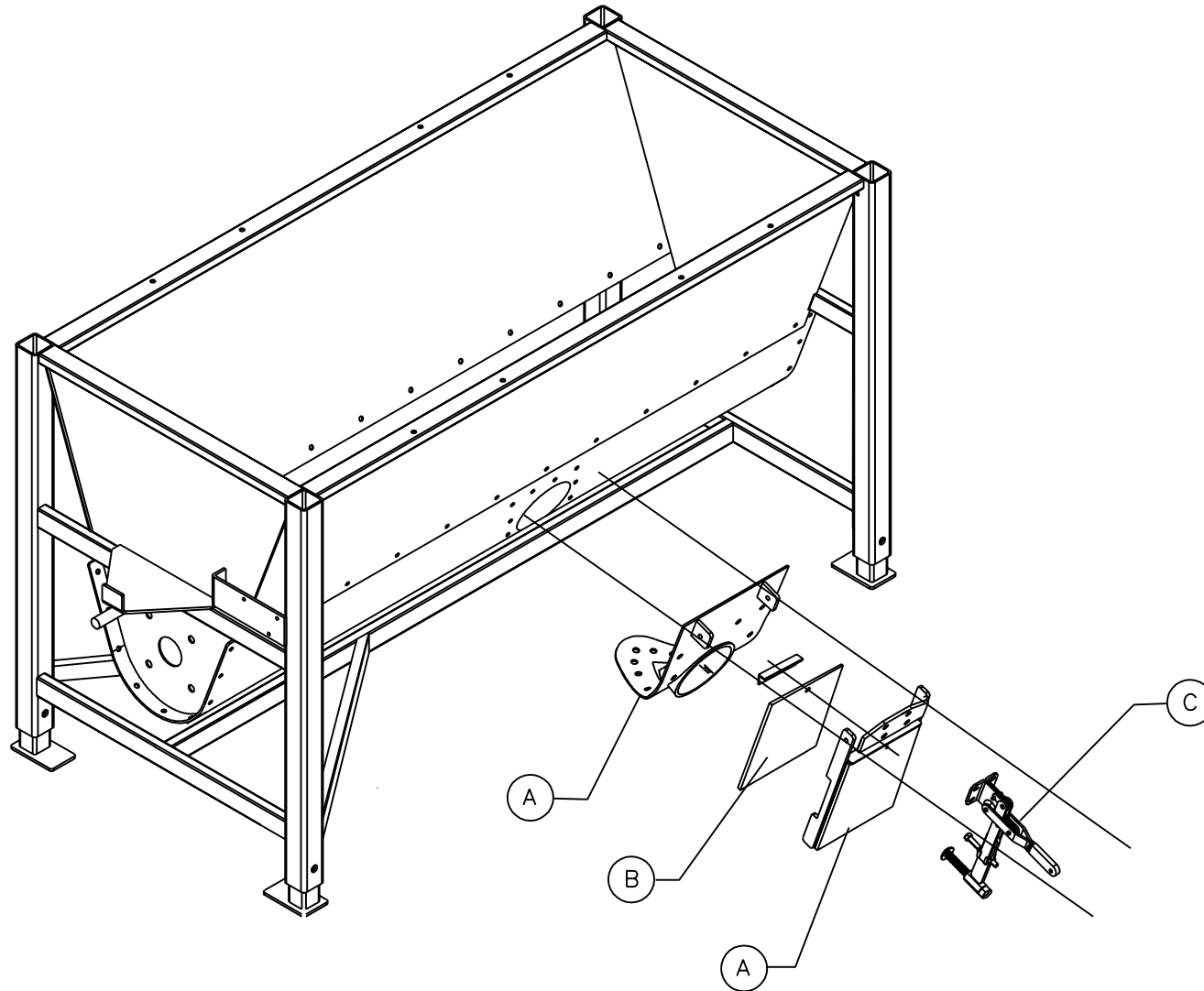




Item #	Quantity	Description	Part #
A	1	Auger Drive Shaft	M104
B	2	Flange Bearing	M305
C	2	Outer Gum Rubber	R503
D	2	Inner Gum Rubber	R510
E	2	A/R Plates	C959
F	2	Dual Flight Auger	M805
G	12	Wear Shoes, Right Hand, #048	M812
H	12	Wear Shoes, Left Hand, #066	M813
I	1	Trough Rubber	R554
J	1	Trough Rubber End Straps, Pair	C955
K	1	Trough Rubber Side Straps, Pair	C956
L	1	Auger End Shaft	M105

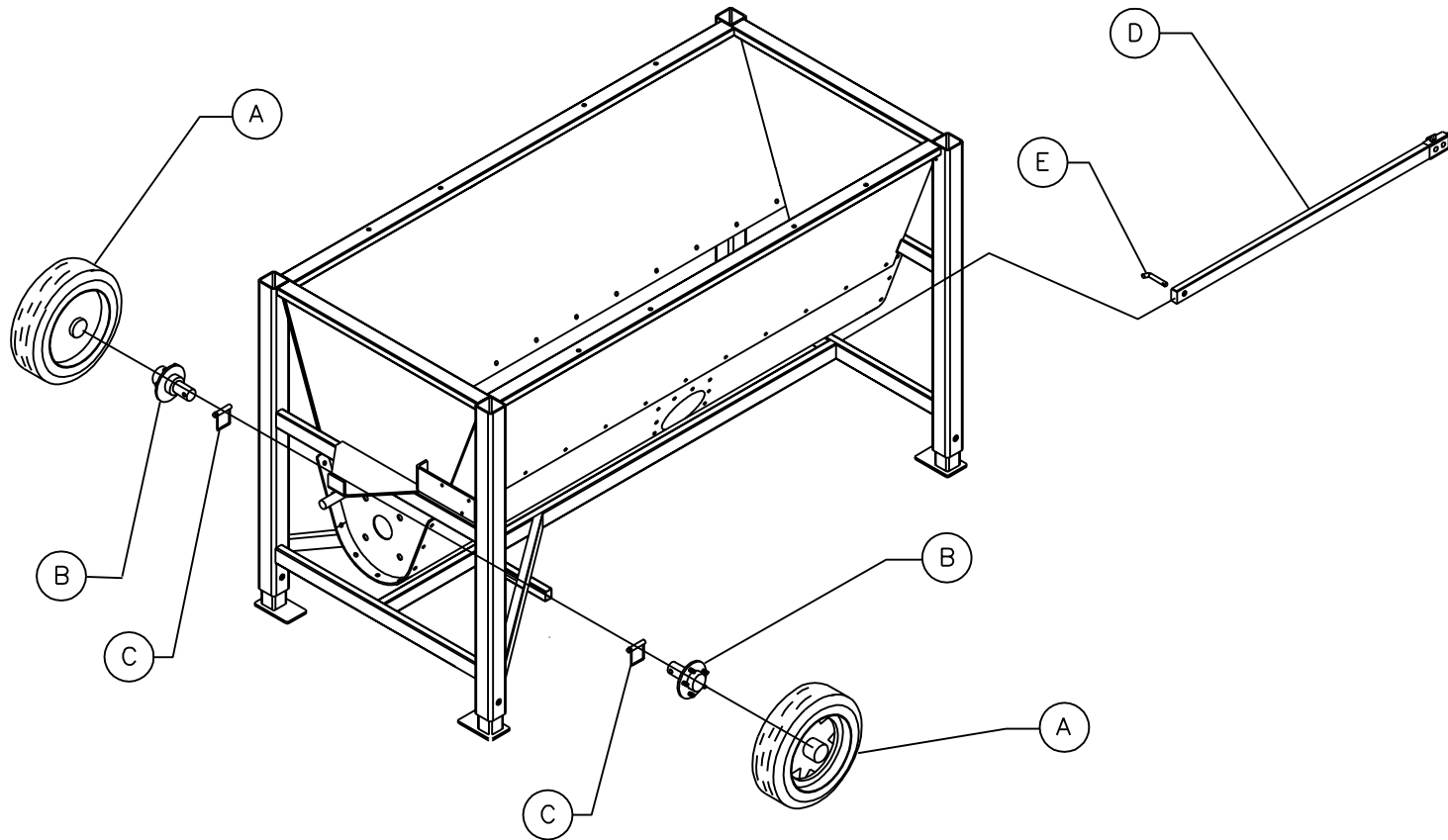


CONCRETE



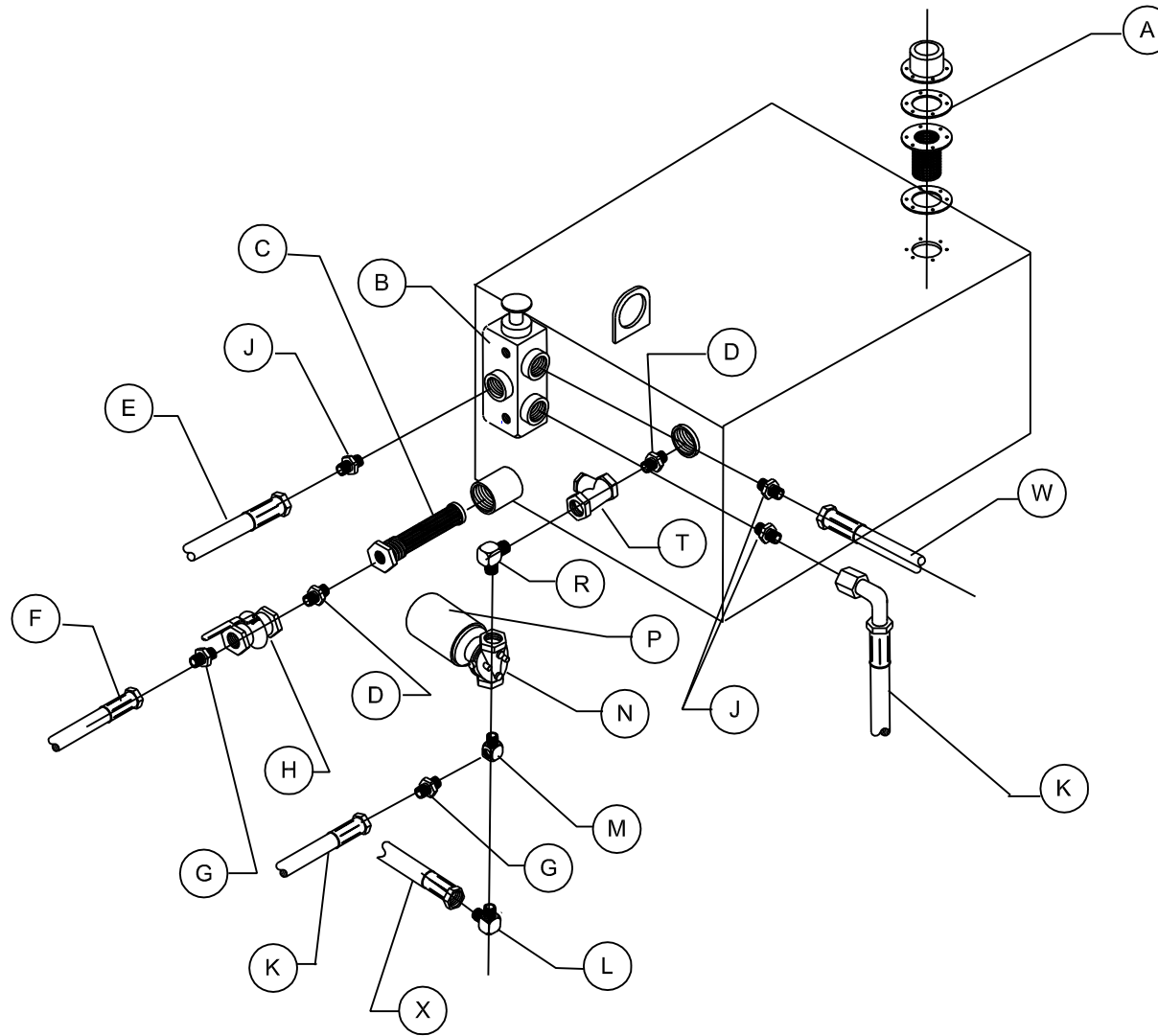


Item #	Quantity	Description	Part #
A	1	Discharge Adapter and Gate Assembly	C954
B	1	Discharge Gate Rubber Seal	R511
C	1	Discharge Gate Clamp Assembly	N709



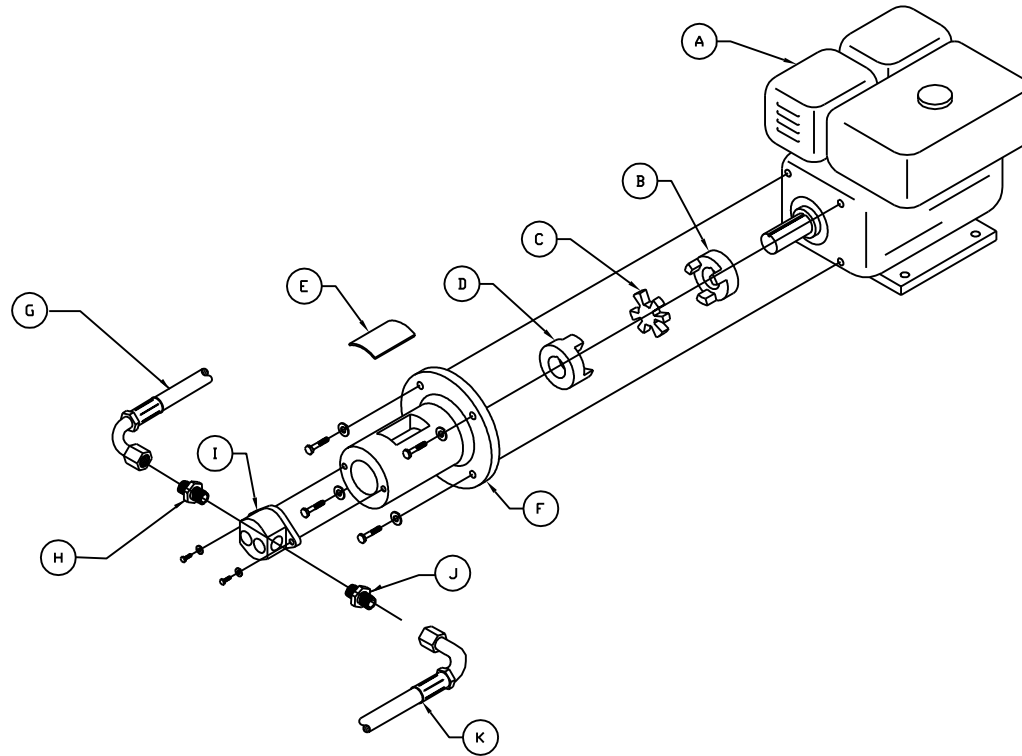


Item #	Quantity	Description	Part #
A	2	Wheel & Tire Combination	J124
B	2	Hub & Spindle Assembly	J285
C	2	Spindle Retaining Clip	
D	1	Tow Bar With Coupler	C961
E	1	Tow Bar Pin	C204





Item #	Quantity	Description	Part #
A	1	Filler/Breather Cap Assembly	H502
B	1	Selector Valve	H430
C	1	Hydraulic Inlet Strainer	H503
D	2	Hydraulic Nipple	H210
E	1	Pressure Line, Pump To Selector Valve	H776
F	1	Suction Line, Tank To Punp	H778
G	2	Hydraulic Adapter	H154
H	1	Ball Valve	H599
J	3	Hydraulic Adapter	H170
K	1	Return Line, Tee To Selector Valve	H780
L	1	Hydraulic Elbow	H189
M	1	Hydraulic Tee	H289
N	1	Hydraulic Filter Head	H511
P	1	Hydraulic Filter	H521
R	1	Hydraulic Elbow	H192
T	1	Hydraulic Check Valve	H421
W	1	Pressure Line To Mixer Unit	H777
X	1	Return Line From Mixer	H779





Item #	Quantity	Description	Part #
A	1	Engine	M608
B	1	Lovejoy Coupler, Engine	M403
C	1	Lovejoy Spider	M410
D	1	Lovejoy Coupler, Pump	M404
E	1	Bell Housing Cover	M575
F	1	Bell Housing	M450
G	1	Pressure Line, Pump To Selector Valve	H776
H	1	Hydraulic Adapter	H153
I	1	Hydraulic Pump	H350
J	1	Hydraulic Adapter	H173
K	1	Suction Line, Tank To Pump	H778